



The TCMLL is a heavy-duty, compact strip that is ideal for coves, showcases and other areas where very low profile linear light sources are required

TCMLL tiny lensed | multi-channel



Features and Specifications:

Construction:

- Durable steel body
- Snap-on frosted lens, injection molded end caps
- Wireway covers attach simply with screws for easy maintenance

Size Options:

- Available in 2', 3', 4', 6' and 8' lengths (nominal)

Listing & Ratings:

- All electrical components are U.L. listed or recognized
- All fixtures are U.L. Certified and Union made in the USA Meets
- Buy America Act (BAA), BABA Compliant

Mounting Options:

- Surface or suspended mount

Driver:

- Universal voltage 120-277V standard
- Custom driver tuning for specific lumen requirements
- 0-10V or Lutron dimming optional

Warranty:

- 5 years - part replacement only (see our terms & conditions page at www.lamarled.com for details)

See page 2 for lumen chart & dimensions

Ordering Guide / Example

TCMLL48M-40

| TCMLL | | | | |
|-----------------------------------|--|--|--|---|
| Series | Size | Power | CCT | General Options |
| TCMLL = Tiny lensed multi-channel | 24 = 2' nominal 36 = 3' nominal 48 = 4' nominal 72 = 6' nominal 96 = 8' nominal | L = Low M = Medium H = High | 80 CRI 30 = 3000K 35 = 3500K 40 = 4000K 50 = 5000K 90 CRI 930 = 3000K 935 = 3500K 940 = 4000K 950 = 5000K MCT = Field Selectable CCT 3000K, 3500K or 4000K (80 CRI) | EM = Emergency pack >90 min., >500 lumens (higher output & run time available - consult factory) EMB = BABA Compliant Emergency pack >90 min., >500 lumens D = 0-10V dimming to 1% DTD = 0-10V Dim to Dark LDH = Lutron EcoSystem Hi-lume digital 1% w/Fade to Black MX1 or MX2 = 2-wire 120V or 277V 5% phase cut dimming |

Consult factory for additional options not shown or listed Correlated Color Temperatures (CCTs) fall within the nominal range as per ANSI C78.377A

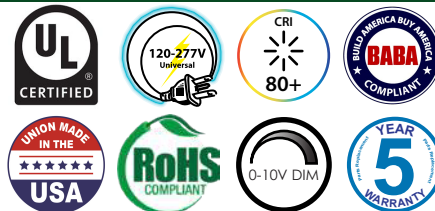
Project Information:

Job Name: _____ Fixture Type: _____

Catalog #: _____ Date: _____

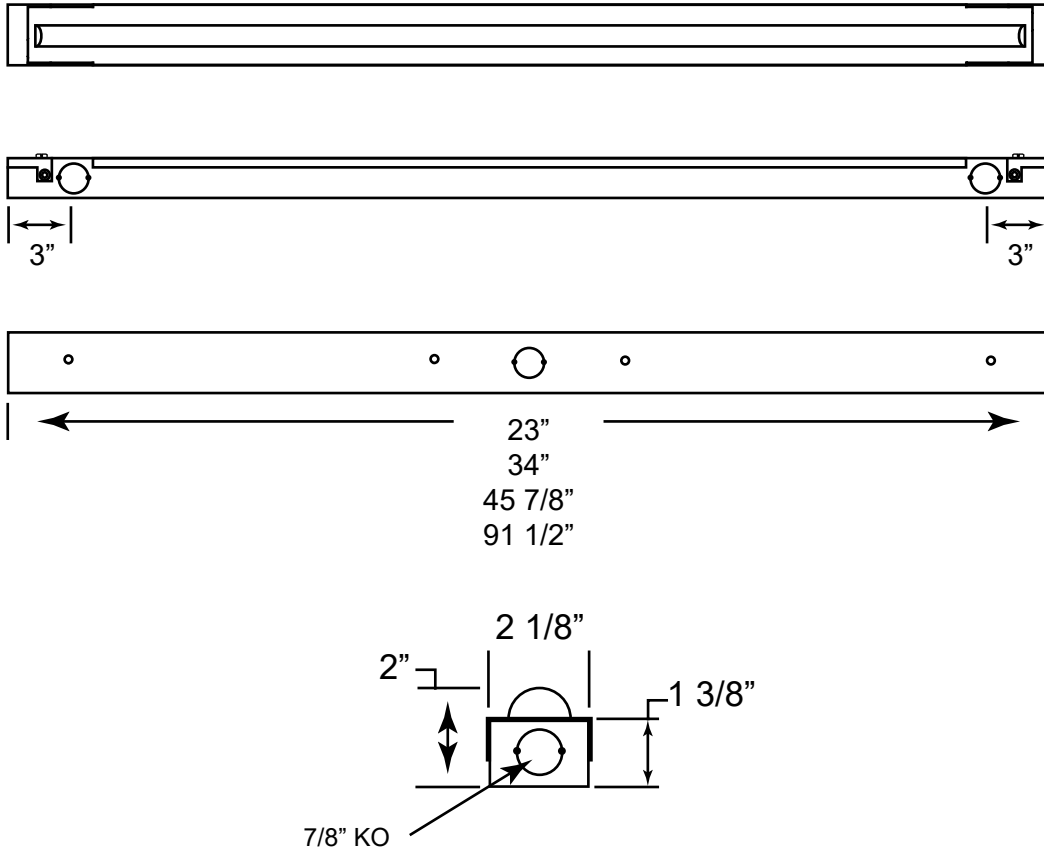
Comments: _____

Certification & Listings:



BEFORE INSTALLATION, PLEASE CONSULT YOUR LOCAL ORDINANCES AND BUILDING CODES FOR COMPLIANCE

Dimensions



Lumen/Wattage Chart - 4000K

| 4000K | Low | Med | High |
|-------|-------------|-------------|----------------|
| | 4' | 2309 19W | 4041 33W |
| 8' | 4618 38W | 8082 66W | 11,734 102W |

| CCT | Lumen Multiplier |
|-------|------------------|
| 3000K | 95.0% |
| 3500K | 96.0% |
| 4000K | 100.0% |
| 5000K | 101.0% |