

# SentinelGuard™ Wall Mount

Vandal-Resistant Wall Mounted Fixture  
For Correctional Applications



## Features and Specifications

### Key Features:

- IK10+ rated security construction with high-impact lens options for application-specific protection.
- Anti-ligature design with smooth radiused edges, tamper-proof Torx® T-15 center-pin fasteners, and no exposed pry points.
- Energy-efficient LED system delivering up to 140 lm/W with uniform lens illuminance — no visible light bars or hotspots for improved visual comfort and aesthetic consistency.
- Room-side serviceable design for ease of maintenance and secure access.
- Smart control compatibility: supports 0–10V, DALI, or other control systems (consult factory)
- Long-life LED performance exceeding 100,000 hours L70 @ 40°C, minimizing maintenance and lifecycle costs.
- Union-made in the USA, BAA/BABA compliant, and UL 1598 certified for correctional and high-abuse environments.

### Construction:

- **HOUSING:** Welded, one-piece, die-formed CRS. From 12–18 gauge
- **LENS:** Application dependent options include polycarbonate, glass and acrylic for combined protection, aesthetic and optics.
- **FINISH:** High-performance, durable polyester powder coating, oven-baked for corrosion resistance; salt-spray tested > 1,000 hours per ASTM B117. Standard matte white; other finishes available.

### Dimensions:

- 36" x 5" x 4"

### Optical & Electrical:

- Light Engine: high-efficiency LED module
- Output: 1,500–3,500 lumens
- CCT: 3000K–5000K, optional tunable white
- CRI: 80/90
- Lifetime: >100,000 hrs L70 @ 40°C
- Voltage: 120–277V
- Dimming: 0–10V standard, DALI (optional)

### Certifications:

- Patent Pending
- UL 1598
- IK10+
- ASTM tamper resistance standards
- Union-made, BAA/BABA compliant

### Warranty:

- 5 Years - part replacement only (see our terms & conditions page at [www.lamarled.com](http://www.lamarled.com) for details)

### Ordering Matrix/Example

SG-WM-12-2-FA12/PP18-S1-80-30K-B-WL

Series	Housing	Length	Lens (Inner/Outer)	Lumen Level	CRI	CCT	Finish	Options
<b>SG-WM</b>	<b>—</b>	<b>—</b>	<b>FA12 /</b>	<b>—</b>	<b>—</b>	<b>—</b>	<b>—</b>	<b>—</b>
<b>Series</b>	<b>Housing</b>	<b>Length</b>	<b>Lens (Inner/Outer)</b>	<b>Lumen Level</b>	<b>CRI</b>	<b>CCT</b>	<b>Finish</b>	<b>Options</b>
<b>SG-WM</b> = SentinelGuard Wall Mount	<b>12</b> = 12-GA CRS (Painted) <b>14</b> = 14-GA CRS (Painted) <b>16</b> = 16-GA CRS (Painted) <b>18</b> = 18-GA CRS (Painted)	<b>2</b> = 2' <b>3</b> = 3' <b>4</b> = 4'	<b>FA12</b> = .125" Frosted Acrylic  <b>PP18</b> = .187" Prismatic Polycarbonate <b>CP18</b> = .187" Clear Polycarbonate <b>CP25</b> = .250" Clear Polycarbonate <b>CP37</b> = .375" Clear Polycarbonate <b>CP50</b> = .500" Clear Polycarbonate <b>CT18</b> = .187" Clear Tempered Glass <b>TT25</b> = .250" Textured Tempered Glass <b>CT25</b> = .250" Clear Tempered Glass <b>CT37</b> = .375" Clear Tempered Glass <b>CT50</b> = .500" Clear Tempered Glass <b>CT75</b> = .750" Clear Tempered Glass	<b>S1</b> = 1,500 lm / ~13W* <b>M1</b> = 2,500 lm / ~21W* <b>H1</b> = 3,500 lm / ~30W*  *Delivered lumens and wattage based on 0.125" frosted acrylic inner lens with 0.187" clear polycarbonate outer lens @ 80CRI / 4000K. Actual fixture wattage may deviate by approximately 10% based on lens combination, CRI, and color temperature.	<b>80</b> = 80 CRI <b>90</b> = 90 CRI	<b>30K</b> = 3000K <b>35K</b> = 3500K <b>40K</b> = 4000K <b>50K</b> = 5000K <b>TW</b> = Tunable White (2700–6500K)	<b>W</b> = White <b>B</b> = Black <b>C</b> = Custom	<b>EM</b> = 10W Integrated Emergency Battery Backup (0°C min ambient) <b>EMST</b> = 10W Integrated Self-Testing Emergency Battery Backup (0°C min ambient) <b>F</b> = Fuse & Holder <b>DAL</b> = DALI

### Project Information:

Job Name: \_\_\_\_\_ Fixture Type: \_\_\_\_\_

Catalog #: \_\_\_\_\_ Date: \_\_\_\_\_

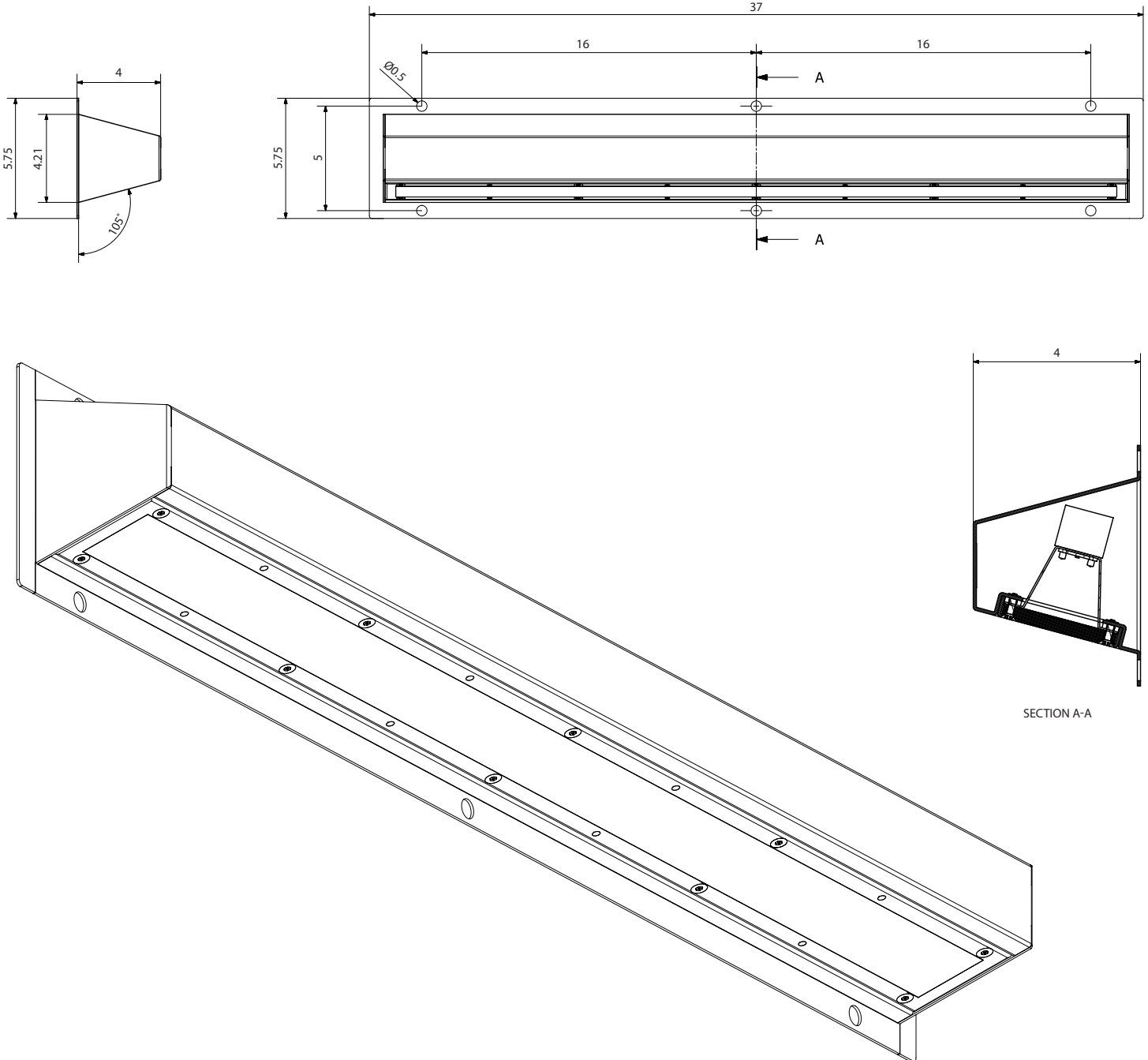
Comments: \_\_\_\_\_

### Certification & Listings:



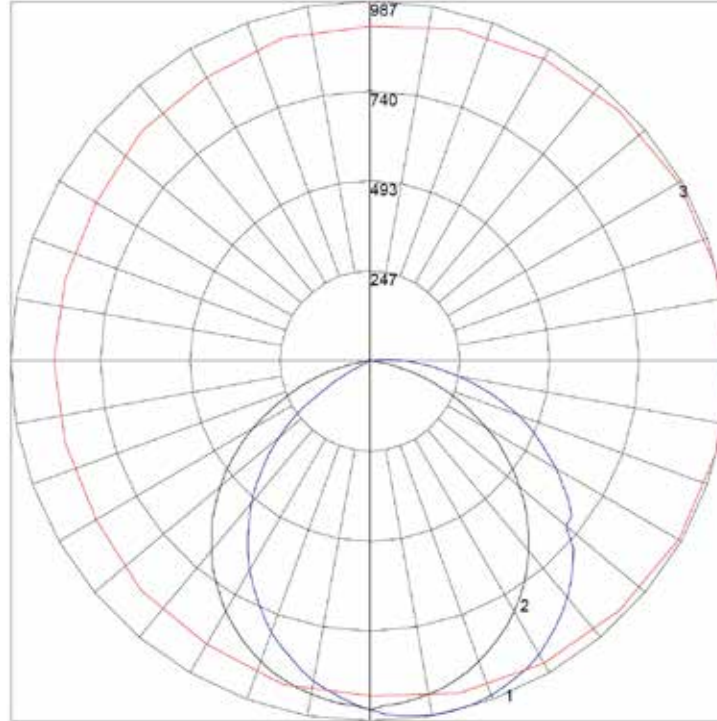
Specifications subject to change without notice - Rev 0925

Dimensions



SECTION A-A

Performance



Maximum Candela = 986.83 Located At Horizontal Angle = 0, Vertical Angle = 12.5  
 # 1 - Vertical Plane Through Horizontal Angles (0 - 180) (Through Max. Cd.)  
 # 2 - Vertical Plane Through Horizontal Angles (90 - 270)  
 # 3 - Horizontal Cone Through Vertical Angle (12.5) (Through Max. Cd.)

**ZONAL LUMEN SUMMARY**

Zone	Lumens	%Lamp	%Fixt
0-20	348.10	N.A.	13.60
0-30	736.19	N.A.	28.70
0-40	1197.64	N.A.	46.70
0-60	2063.7	N.A.	80.50
0-80	2485.97	N.A.	96.90
0-90	2543.32	N.A.	99.20
10-90	2453.05	N.A.	95.70
20-40	849.54	N.A.	33.10
20-50	1315.38	N.A.	51.30
40-70	1139.7	N.A.	44.40
60-80	422.27	N.A.	16.50
70-80	148.63	N.A.	5.80
80-90	57.35	N.A.	2.20
90-110	12.89	N.A.	0.50
90-120	13.70	N.A.	0.50
90-130	14.71	N.A.	0.60
90-150	17.80	N.A.	0.70
90-180	20.88	N.A.	0.80
110-180	7.98	N.A.	0.30
0-180	2564.2	N.A.	100.00

Total Luminaire Efficiency = N.A. %

**ZONAL LUMEN SUMMARY**

Zone	Lumens
0-10	90.27
10-20	257.83
20-30	388.09
30-40	461.45
40-50	465.84
50-60	400.22
60-70	273.64
70-80	148.63
80-90	57.35
90-100	11.29
100-110	1.60
110-120	0.81
120-130	1.01
130-140	1.41
140-150	1.68
150-160	1.58
160-170	1.10
170-180	0.40