

SentinelGuard™ Task Light

Vandal-Resistant Recessed Wall Fixture
For Correctional Applications

Features and Specifications

Key Features

- Low-profile recessed design (~1" projection) for safety and ligature resistance
- Tamper-resistant recessed back box with interlocking wall flanges for secure anchoring
- Cast aluminum faceplate, powder-coated, acting as a thermal heat sink
- 0.25" polycarbonate impact-resistant lens, IK10+ rated
- Recessed tamper-proof fasteners; no pry points
- Optional integral vandal-proof switch
- Energy-efficient LED module (~16W) providing uniform localized illumination
- Wash-down capable, sealed against fluid ingress, contraband concealment
- BAA/BABA compliant, UL listed, IP65 wet location

Applications:

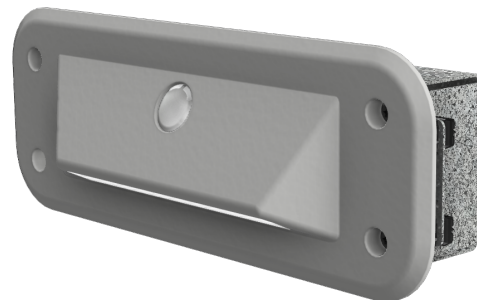
- Correctional cells, dayrooms, holding areas
- Secure interview rooms

Construction:

- Back Box: 18G Galvanized steel with side flanges behind wall and top/bottom flanges overlapping wall for pry-proof installation
- Faceplate: Cast aluminum, low profile with radiused edges for ligature resistance
- Lens: 0.25" UV-stabilized polycarbonate (clear or diffused)
- Fasteners: Recessed tamper-resistant Torx® with center pin reject
- Finish: Durable powder coat, salt-spray tested >1,000 hrs

Dimensions:

- Faceplate: 11.75" x 4.75"
- Aperture: 5.7" x 1.1"
- Projection: ~1" from wall surface



Optical & Electrical:

- Light Engine: 16W high-efficiency LED module
- Output: 1,400–1,800 lumens
- CCT: 2700K–5000K, optional tunable white
- CRI: 80/90
- Lifetime: >100,000 hrs L70 @ 40°C
- Voltage: 120–277V
- Dimming: 0–10V

Certifications:

- Patent Pending
- UL 1598, Wet Location
- IP65, IK10+
- ASTM tamper resistance standards
- BAA/BABA compliant

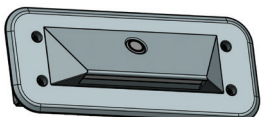
Warranty:

- 5 Years - part replacement only (see our terms & conditions page at www.lamarled.com for details)

Ordering Matrix/Example

SG-TL-C-W40K-80-D

SG-TL

Series	Lens	Finish	CCT	CRI	Options
SG-TL = SentinelGuard Task Light 	C = Clear D = Diffused	W = White B = Black C = Custom	27K = 2700K 30K = 3000K 35K = 3500K 40K = 4000K 50K = 5000K	80 = 80 CRI 90 = 90 CRI	O = Vandal-proof on/off switch D = Vandal-proof dimmer switch

Project Information:

Job Name: _____ Fixture Type: _____

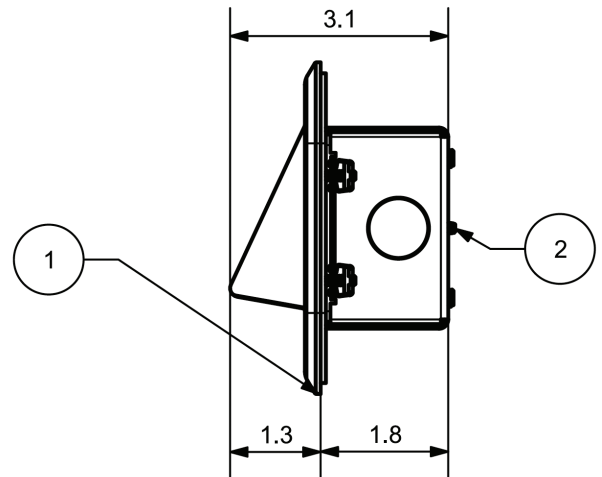
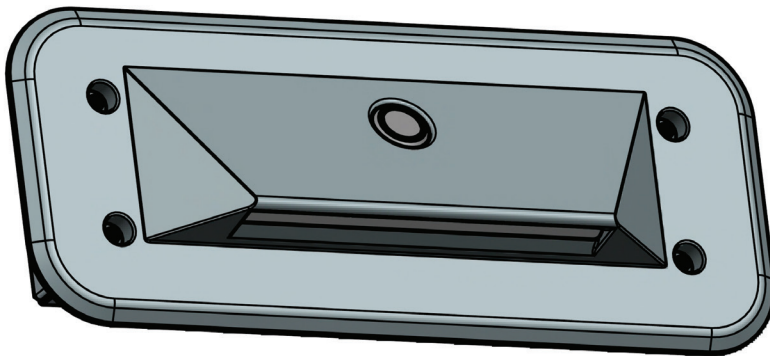
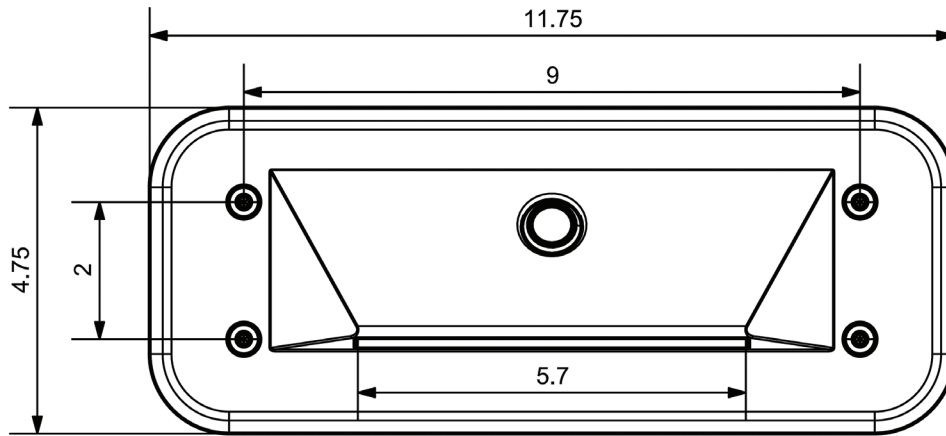
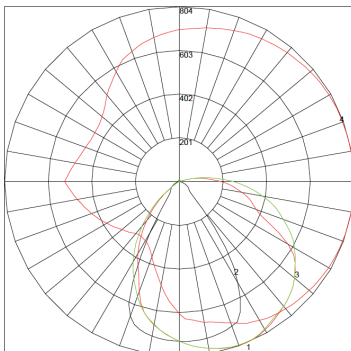
Catalog #: _____ Date: _____

Comments: _____

Certification & Listings:



Specifications subject to change without notice - Rev 0722

Dimensions

Performance Chart
POLAR CANDELA DISTRIBUTION


Maximum Candela = 804.096 Located At Horizontal Angle = 350, Vertical Angle = 22.5
 # 1 - Vertical Plane Through Horizontal Angles (350 - 170) (Through Max. Cd.)
 # 2 - Vertical Plane Through Horizontal Angles (90 - 270)
 # 3 - Vertical Plane Through Horizontal Angles (0 - 180)
 # 4 - Horizontal Cone Through Vertical Angle (22.5) (Through Max. Cd.)