



The R1LA series is a color selectable commercial grade, recessed lay-in T-Bar troffer with modern styling and high visual comfort featuring a single shallow semi-round lens. For use in indoor applications where low glare, high quality and ease of installation are required

# R1LA recessed volumetric adjustable output & CCT



### Features and Specifications:

#### Construction:

- Die-formed, code gauge steel housing and precision-formed steel reflector
- Round linear ribbed frosted acrylic diffuser offers high levels of efficiency and visual comfort
- Indirect reflectors are precision formed and countoured to provide soft, low glare, indirect illumination

#### Size Options:

- Available in 1X4, 2X2 and 2x4

#### Listing & Ratings:

- All fixtures are U.L./C.U.L. Certified for insulated ceilings
- Suitable for damp locations
- Design Lights Consortium® (DLC) qualified luminaire

#### Mounting Options:

- Recessed mount in T-Bar applications
- Integral earthquake clips for additional support

#### Driver:

- Universal voltage 120-277V standard
- 0-10V dimming standard
- Adjustable CCT (3500K, 4000K, 5000K) via dipswitch on driver
- Adjustable lumen output (3 levels) via slide switch

#### Warranty:

- 5 years - part replacement only (see our terms & conditions page at [www.lamarled.com](http://www.lamarled.com) for details)

See page 2 for lumen chart & dimensions

Ordering Guide / Example

R1LA22

R1LA			
Series	Size	General Options	Accessories
R1LA = Recessed adjustable luminaire	<b>14</b> = 1x4 <b>22</b> = 2x2 <b>22H</b> = 2x2 High Output <b>24</b> = 2x4 <b>24H</b> = 2x4 High Output	<b>EM</b> = Emergency pack >90 min., >500 lumens <b>W</b> = 6ft Whip (Dimming and/or EM leads included when necessary)	<b>FK14</b> = 1x4 Flange Kit for gypsum ceilings <b>FK22</b> = 2x2 Flange Kit for gypsum ceilings <b>FK24</b> = 2x4 Flange Kit for gypsum ceilings <b>SK14</b> = 1x4 Surface mount Kit for gypsum ceilings <b>SK22</b> = 2x2 Surface mount Kit for gypsum ceilings <b>SK24</b> = 2x4 Surface mount Kit for gypsum ceilings

Consult factory for optional Bluetooth™ mesh wireless system, with features such as high-end trim, grouping, occupancy/vacancy sensing, and scheduling.

Correlated Color Temperatures (CCTs) fall within the nominal range as per ANSI C78.377A

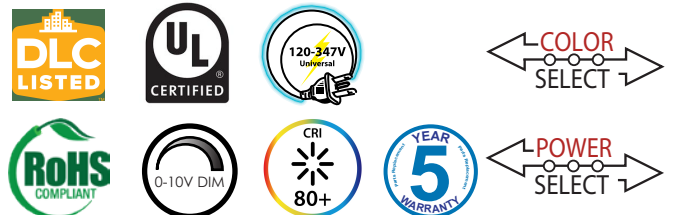
#### Project Information:

Job Name: \_\_\_\_\_ Fixture Type: \_\_\_\_\_

Catalog #: \_\_\_\_\_ Date: \_\_\_\_\_

Comments: \_\_\_\_\_

#### Certification & Listings:



**Lumen/Wattage Chart**

Catalog Number	Input Voltage	Wattage	CCT	Lumen Output	Efficacy	CRI	Power Factor	Lifetime
R1LA14	120-277V	35W	3500K	4,375	125 lm/W	> 80	> 0.90	50,000 hrs
			4000K	4,410	126 lm/w			
			5000K	4,445	127 lm/W			
		30W	3500K	3,900	130 lm/W			
			4000K	3,930	131 lm/w			
			5000K	3,960	132 lm/W			
		24W	3500K	3,192	133 lm/W			
			4000K	3,216	134 lm/w			
			5000K	3,240	135 lm/W			
R1L22A	120-277V	24W	3500K	3,072	128 lm/W	> 80	> 0.90	50,000 hrs
			4000K	3,096	129 lm/W			
			5000K	3,120	130 lm/W			
		18W	3500K	2,412	134 lm/W			
			4000K	2,430	135 lm/W			
			5000K	2,448	136 lm/W			
		15W	3500K	2,055	137 lm/W			
			4000K	2,070	138 lm/W			
			5000K	2,085	139 lm/W			
R1L22AH	120-277V	35W	3500K	4,480	128 lm/W	> 80	> 0.90	50,000 hrs
			4000K	4,515	129 lm/W			
			5000K	4,550	130 lm/W			
		30W	3500K	3,930	131 lm/W			
			4000K	3,960	132 lm/W			
			5000K	3,990	133 lm/W			
		24W	3500K	3,216	134 lm/W			
			4000K	3,240	135 lm/W			
			5000K	3,264	136 lm/W			
R1L24A	120-277V	30W	3500K	3,840	128 lm/W	> 80	> 0.90	50,000 hrs
			4000K	3,870	129 lm/W			
			5000K	3,900	130 lm/W			
		25W	3500K	3,350	134 lm/W			
			4000K	3,375	135 lm/W			
			5000K	3,400	136 lm/W			
		20W	3500K	2,740	137 lm/W			
			4000K	2,760	138 lm/W			
			5000K	2,780	139 lm/W			

\* Preset to highest lumen output

\* Color Uniformity: CCT (Correlated Color Temperature) range as per guidelines outlined in ANSI C78.377-2017

See next page for R1L24AH

## Lumen/Wattage Chart

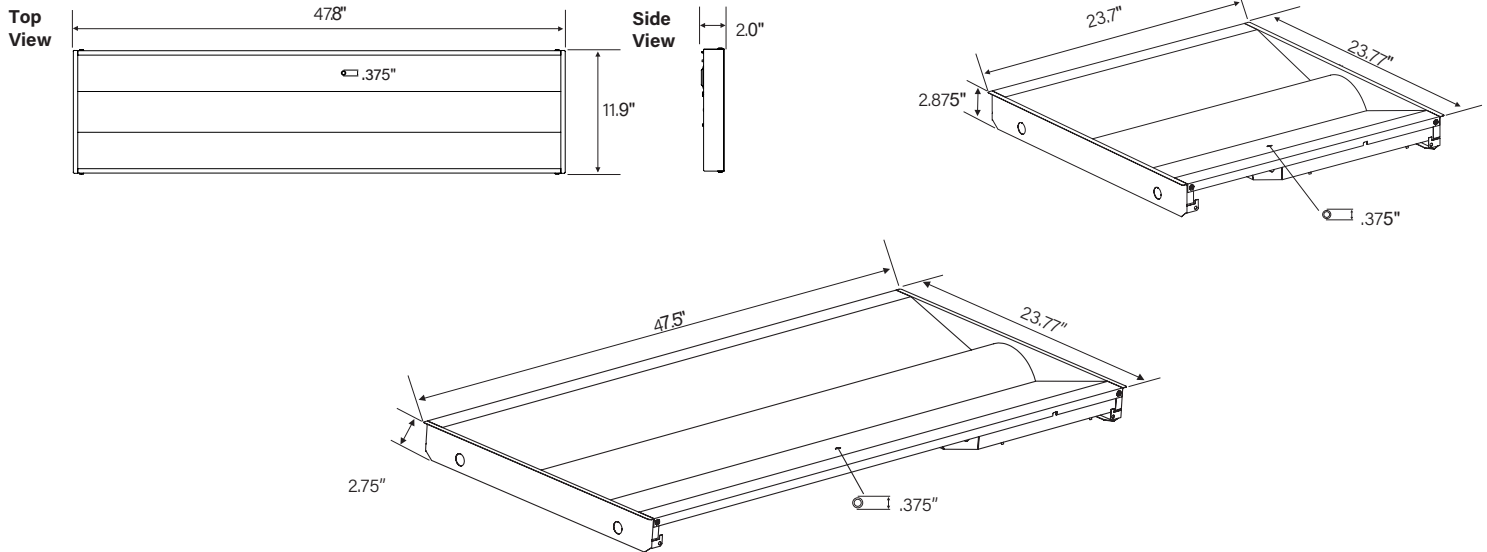
R1L24AH	120-277V	45W	3500K	5,760	128 lm/W	> 80	> 0.90	50,000 hrs
			4000K	5,805	129 lm/W			
			5000K	5,850	130 lm/W			
		38W	3500K	4,978	131 lm/W			
			4000K	5,016	132 lm/W			
			5000K	5,054	133 lm/W			
		30W	3500K	4,110	137 lm/W			
			4000K	4,140	138 lm/W			
			5000K	4,170	139 lm/W			

\* Preset to highest lumen output

\* Color Uniformity: CCT (Correlated Color Temperature) range as per guidelines outlined in ANSI C78.377-2017

BEFORE INSTALLATION, PLEASE CONSULT YOUR LOCAL ORDINANCES AND BUILDING CODES FOR COMPLIANCE

## Dimensions



LAMAR LED assumes no responsibility for misapplication of fixtures

Due to the rapid advancements in LED technology, please consult our website for the most current technical data.

Specifications subject to change without notice - Rev 0324