



At only 2.25" wide, the NLR fits discretely into many architectural applications. It is suitable for installations in NEMA type inverted T-bar ceilings.

NLR narrow linear recessed



Features and Specifications:

Construction:

- Suitable for (IC) insulated ceiling installation (low & med power only)
- Custom extruded diffuser offers high light transmission of over 85% with excellent LED diffusion
- Precision fabricated steel housings are an economic alternative to extruded aluminum

Size Options:

- Available in 2', 3', 4', 6' and 8' lengths (nominal)

Listing & Ratings:

- All electrical components are U.L. listed or recognized
- All fixtures are U.L. Certified and Union made in the USA
- Meets Buy America Act (ARRA)

Mounting Options:

- Recessed grid or slot grid mount

Driver:

- Universal voltage 120-277V standard
- Custom driver tuning available for specific lumen requirements
- 0-10V or Lutron dimming optional

Warranty:

- 5 years - part replacement only (see our terms & conditions page at www.lamarled.com for details)

See page 2 for lumen chart & dimensions

Ordering Guide / Example		NLR48MFA-35D				
NLR		FA				
Series	Size	Power	Lens	CCT	General Options	Run Configuration
NLR = Std grid NLRSG = Slot grid	24 = 2' nominal 36 = 3' nominal* 48 = 4' nominal 72 = 6' nominal 96 = 8' nominal	L = Low M = Medium H = High+	FA = Flat acrylic	30 = 3000K 35 = 3500K 40 = 4000K 50 = 5000K	EM = Emergency pack >90 min., >500 lumens (higher output & run time available - consult factory - 3'-8' only) D = 0-10V dimming to 1% (standard) DTD = 0-10V Dim to Dark LDH = Lutron EcoSystem Hi-lume digital 1% w/Fade to Black LD2 = Lutron 2-wire 120V 1% forward phase (40W max)	Blank = Individual BOR = Beginning of run (for 2 unit tandem run) EOR = End of run (for 2 unit tandem run)

Consult factory for additional options not shown or listed & for continuous run ordering code

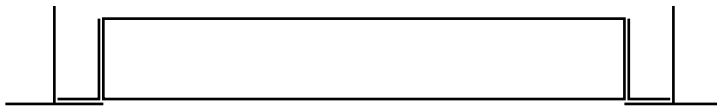
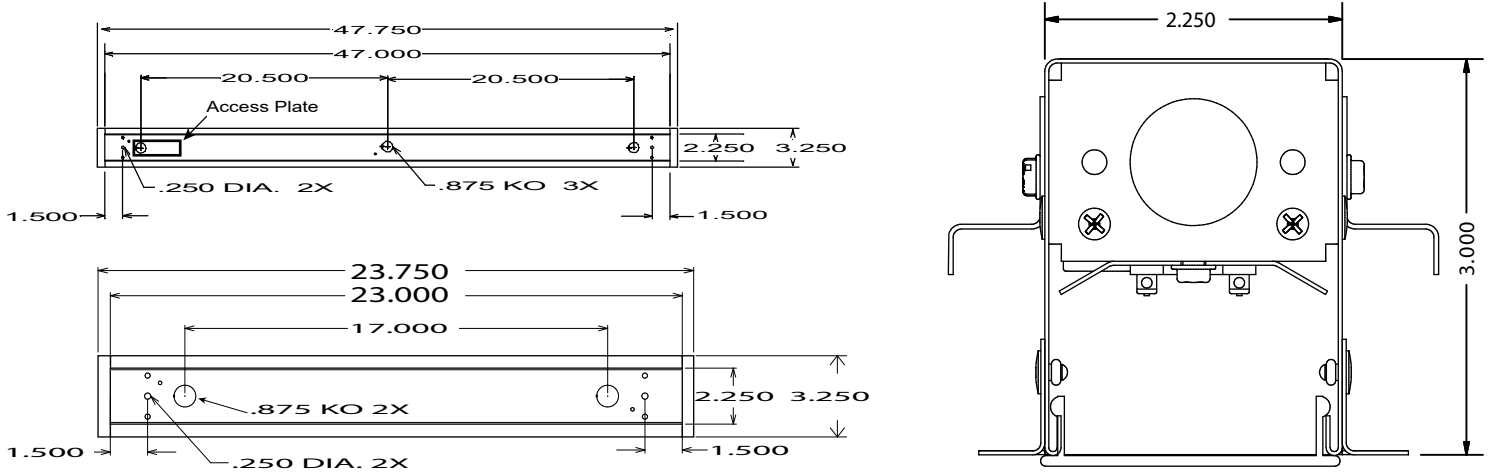
Correlated Color Temperatures (CCTs) fall within the nominal range as per ANSI C78.377A +High output not suitable for IC ceilings

*Custom order on request - Minimum order quantities apply

Project Information:	Certification & Listings:
Job Name: _____ Fixture Type: _____ Catalog #: _____ Date: _____ Comments: _____	

BEFORE INSTALLATION, PLEASE CONSULT YOUR LOCAL ORDINANCES AND BUILDING CODES FOR COMPLIANCE

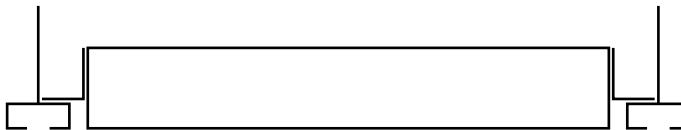
Dimensions



NLR (std grid)
Standard T-grid Ceiling



NLR (std grid)
Fine Line Ceiling



NLRSG (slot grid)
Slot Grid Ceiling

LED Lumen/Wattage Chart - 4000K

NLR 4'

Low	Medium	High
24W	33W	40W
2455 Lu	3210 Lu	3788 Lu

Length Chart

Size	IND	BOR-EOR
2'	23.75"	23.875"
4'	47.75"	47.875"
6'	71.75"	71.875"
8'	95.75"	95.875"

Lumen Multipliers

3000K	.95
3500K	.97
5000K	1.03