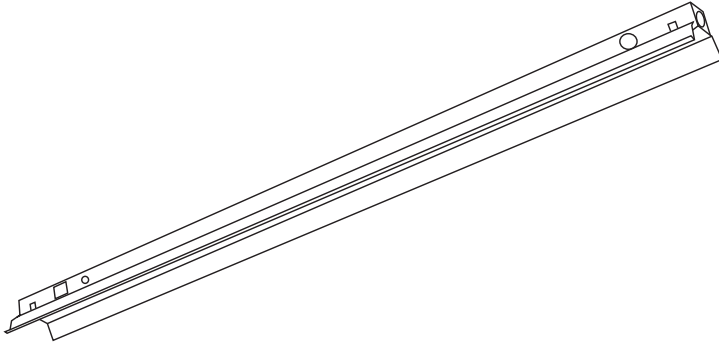


MINLL mini narrow industrial w/lens



Features and Specifications:

Construction:

- Durable steel body and reflector
- Snap-on frosted polycarbonate lens, injection molded end caps
- Wireway covers attach simply with screws for easy maintenance

Size Options:

- Available in 2', 4', 6' and 8' lengths (nominal)

Listing & Ratings:

- All electrical components are U.L. listed or recognized
- All fixtures are U.L. Certified and Union made in the USA
- Meets Buy America Act (ARRA)

Mounting Options:

- Surface, suspended or chain mount

Driver:

- Universal voltage 120-277V standard
- Custom driver tuning available for specific lumen requirements
- 0-10V or Lutron dimming optional

Warranty:

- 5 years - part replacement only (see our terms & conditions page at www.lamarled.com for details)

See page 2 for lumen chart & dimensions

Ordering Guide / Example

MINLL48M-40D

MINLL				
Series	Size	Power	CCT	General Options
MINLL = mini narrow industrial	24 = 2' nominal 36 = 3' nominal* 48 = 4' nominal 72 = 6' nominal 96 = 8' nominal	L = Low M = Medium H = High	30 = 3000K 35 = 3500K 40 = 4000K 50 = 5000K	EM = Emergency pack >90 min., >500 lumens (higher output & run time available - consult factory) D = 0-10V dimming to 1% DTD = 0-10V Dim to Dark LDH = Lutron EcoSystem Hi-lume digital 1% w/Fade to Black MX1 or MX2 = 2-wire 120V or 277V 5% phase cut dimming

Consult factory for additional options not shown or listed Correlated Color Temperatures (CCTs) fall within the nominal range as per ANSI C78.377A

*Custom order on request - Minimum order quantities apply

Multiple cord options are available - consult factory

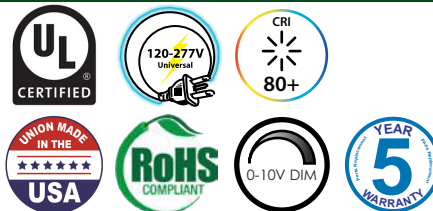
Project Information:

Job Name: _____ Fixture Type: _____

Catalog #: _____ Date: _____

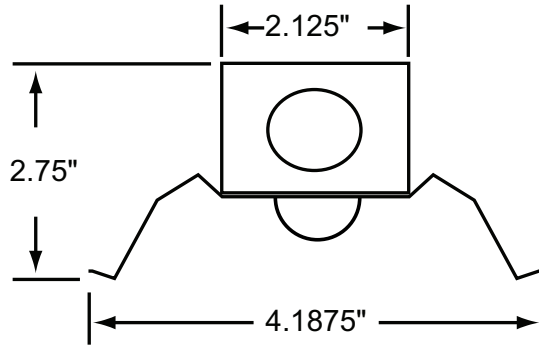
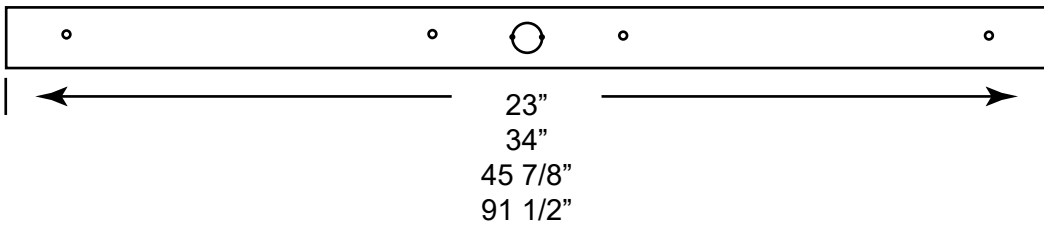
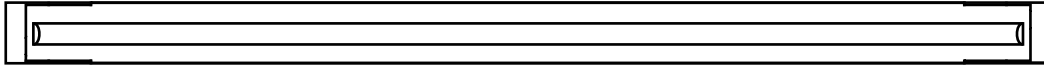
Comments: _____

Certification & Listings:



BEFORE INSTALLATION, PLEASE CONSULT YOUR LOCAL ORDINANCES AND BUILDING CODES FOR COMPLIANCE

Dimensions



Lumen/Wattage Chart - 4000K

4000K	Low	Med	High
4'	2507 19W	4074 33W	5915 51W
8'	5014 38W	8148 66W	11,830 102W