



The DRL is a direct/indirect luminaire that provides maximum uplight with diffused downlight for a balanced appearance. These units are suitable for continuous rows and are ideal for offices, conference rooms, educational and retail spaces.

DRL Durado direct/indirect



Features and Specifications:

Construction:

- Housings are comprised of a durable cold rolled steel, semi-perforated diffuser with lateral light distribution through side perforations for soft downlight
- Utilizing interlocking ends, continuous runs of any length may be constructed
- 48" adjustable aircraft cable kit is included
- Flat style end caps

Size Options:

- Available in 8' lengths (nominal)
- 8' model has the appearance of (2) 4' models

Listing & Ratings:

- All electrical components are U.L. listed or recognized
- All fixtures are U.L. Certified and Union made in the
- USA Meets Buy America Act (BAA), BABA Compliant

Mounting Options:

- Cable mount - 4' aircraft cables included - consult factory for other lengths

Driver:

- Universal voltage 120-277V standard
- Custom driver tuning available for specific lumen requirements
- 0-10V or Lutron dimming

Warranty:

- 5 years - part replacement only (see our terms & conditions page at www.lamarled.com for details)

See page 2 for lumen chart & dimensions

Ordering Guide / Example

DRL48L-35

DRL					
Series	Size	Power	CCT	General Options	Run Configuration
DRL = Durado	96 = 8' nominal	L = Low M = Medium H = High	30 = 3000K 35 = 3500K 40 = 4000K 50 = 5000K	EM = Emergency pack >90 min., >500 lumens (higher output & run time available - consult factory) D = 0-10V dimming to 1% (standard) DTD = 0-10V Dim to Dark LDH = Lutron EcoSystem Hi-lume digital 1% w/Fade to Black MX1 or MX2 = 2-wire 120V or 277V 5% phase cut dimming	BOR = Beginning of run INT = Intermediate EOR = End of run

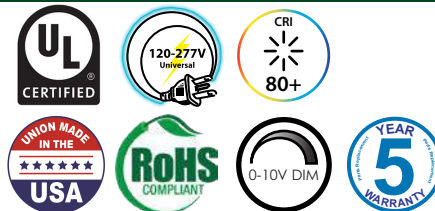
Consult factory for additional options not shown or listed
4' AC cable kits and pre-wired power drop feed through wiring is included for continuous run models (BOR, INT and EOR) - consult factory for other lengths

Correlated Color Temperatures (CCTs) fall within the nominal range as per ANSI C78.377A

Project Information:

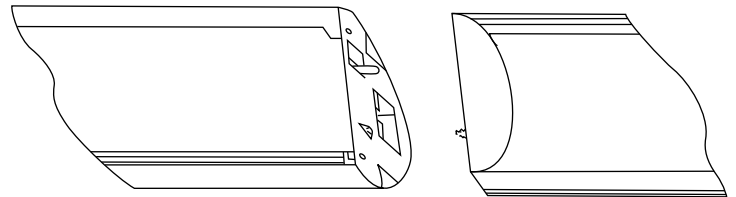
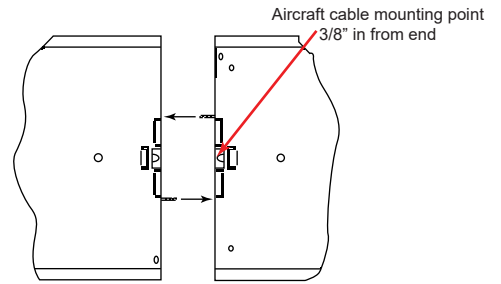
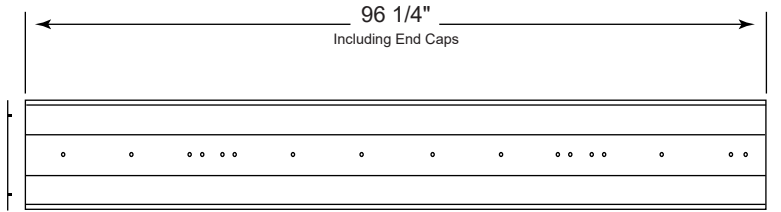
Job Name: _____ Fixture Type: _____
 Catalog #: _____ Date: _____
 Comments: _____

Certification & Listings:

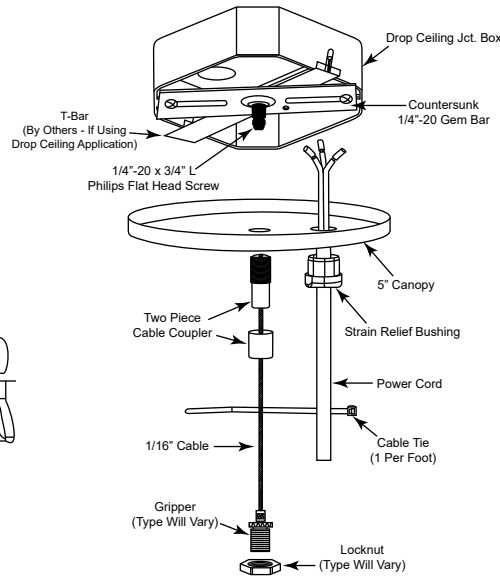


BEFORE INSTALLATION, PLEASE CONSULT YOUR LOCAL ORDINANCES AND BUILDING CODES FOR COMPLIANCE

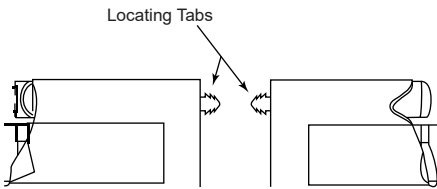
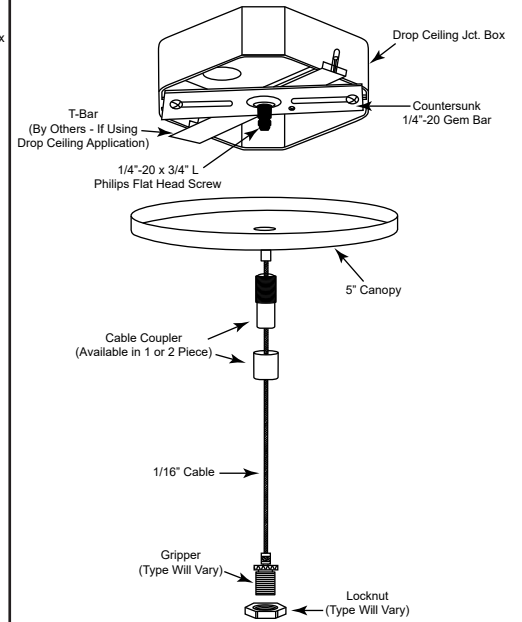
Dimensions



FEED SYSTEM



NON-FEED SYSTEM



LED Lumen/Wattage Chart

DRL 8' 4000K

Low	Medium	High
9028 Lu	12,190 Lu	19,134 Lu
84W	124W	186W

LAMAR LED assumes no responsibility for misapplication of fixtures
Due to the rapid advancements in LED technology, please consult our website for the most current technical data.

Specifications subject to change without notice - Rev 1022