



The DLLR is a multi purpose LED utility luminaire that features high quality LED boards from leading component manufacturers. It is a long lasting, low maintenance luminaire suitable for a broad range of applications from coves and garages to restrooms and other areas where a clean looking, highly efficient LED light source is required.

DLLR direct led luminaire



Features and Specifications:

Construction:

- Housings are die-formed of code gauge steel for long-term dependable service
- Knockouts are provided for convenient mounting with recessed or surface power feeds
- Frosted linear ribbed polycarbonate diffuser

Size Options:

- Available in 2', 3', 4' and 8' lengths (nominal)

Listing & Ratings:

- All electrical components are U.L. listed or recognized
- All fixtures are U.L. Certified and Union made in the USA
- Meets Buy America Act (BAA), BABA Compliant

Mounting Options:

- Stem, chain or surface mount on ceiling or wall

Driver:

- Universal voltage 120-277V standard
- Custom driver tuning for specific lumen requirements
- 0-10V or Lutron dimming optional

Warranty:

- 5 years - part replacement only (see our terms & conditions page at www.lamarled.com for details)

See page 2 for lumen chart & dimensions

Ordering Guide / Example

DLLR48M-35D

DLLR				
Series	Size	Power	CCT	General Options
DLLR = Round lens	24 = 2' nominal 36 = 3' nominal 48 = 4' nominal 96 = 8' nominal	L = Low M = Medium H = High	80 CRI 30 = 3000K 35 = 3500K 40 = 4000K 50 = 5000K 90 CRI 930 = 3000K 935 = 3500K 940 = 4000K 950 = 5000K	EM = Emergency pack >90 min., >500 lumens EMH = Emergency pack >90 min., >1400 lumens (not available in 2ft models) EMB = BABA Compliant Emergency pack >90 min., >500 lumens D = 0-10V dimming to 1% DTD = 0-10V Dim to Dark LDH = Lutron EcoSystem Hi-lume digital 1% w/Fade to Black option MX1 or MX2 = 2-wire 120V or 277V 5% phase cut dimming AC = 4FT Aircraft cable hanging kit w/pre-wired power drop (consult factory for other lengths)

Consult factory for additional options not shown or listed

Correlated Color Temperatures (CCTs) fall within the nominal range as per ANSI C78.377A

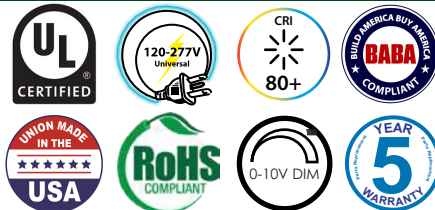
Project Information:

Job Name: _____ Fixture Type: _____

Catalog #: _____ Date: _____

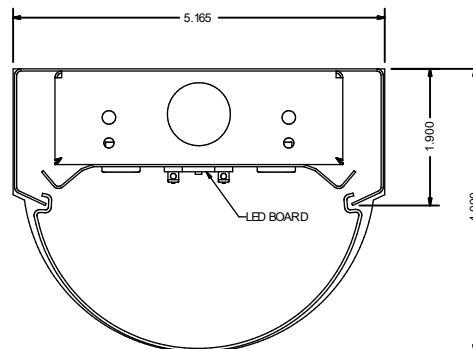
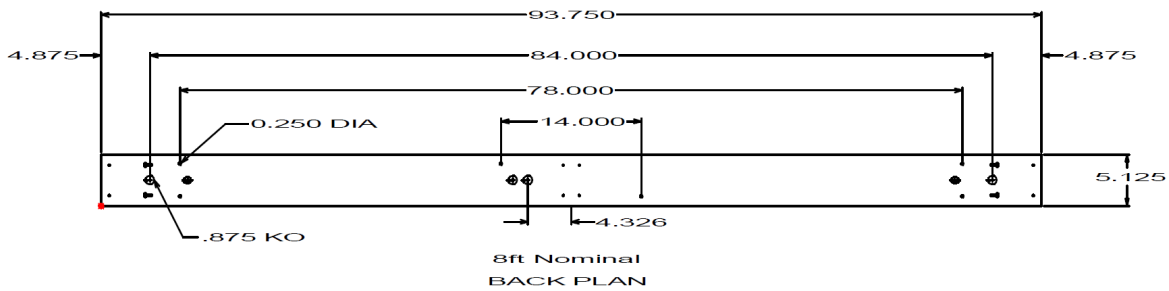
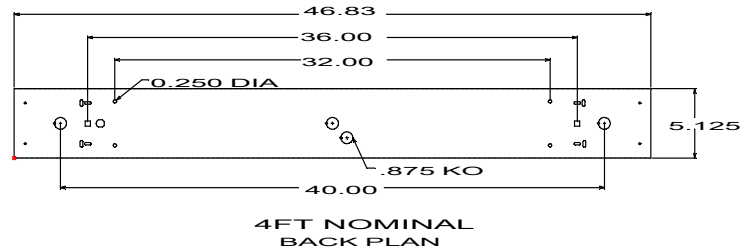
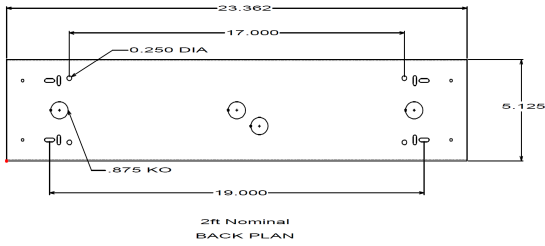
Comments: _____

Certification & Listings:



BEFORE INSTALLATION, PLEASE CONSULT YOUR LOCAL ORDINANCES AND BUILDING CODES FOR COMPLIANCE

Dimensions



LED Lumen/Wattage Chart - 4000K

LED Wattage Chart

	Low (L)	Medium (M)	High (H)
2' (1 Board)	10.5W - 1370 lu	13W - 1618 lu	26W - 3045 lu
4' (2 Boards)	23W - 2716 lu	31W - 3462 lu	53W - 5920 lu
8' (4 Boards)	42W - 5722 lu	62W - 6925 lu	110W - 11840 lu

LAMAR LED assumes no responsibility for misapplication of fixtures

Due to the rapid advancements in LED technology, please consult our website for the most current technical data.

Specifications subject to change without notice - Rev 0724