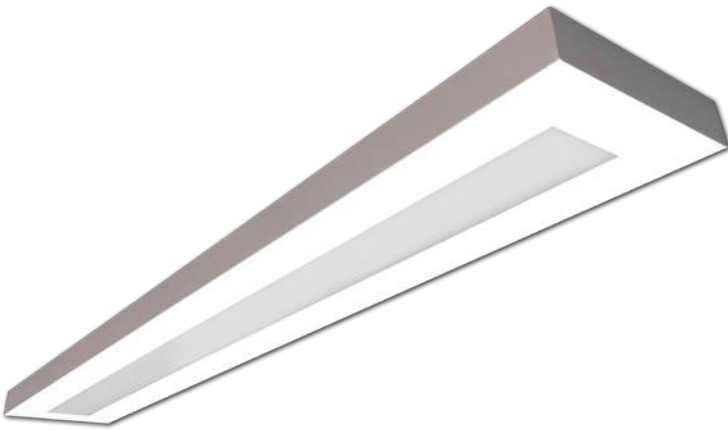


The ATRL is an attractive direct/indirect luminaire that offers controlled downlight for a balanced appearance and maximum illumination. It is ideal for offices, conference rooms, educational and retail spaces. These units can be mounted as individual or continuous rows.

# ATRL Atria direct/indirect



## Features and Specifications:

### Construction:

- Housings are durable cold rolled steel
- 72" adjustable yoke mount aircraft cable kit and pre-wired power drop included
- Frosted acrylic lens standard

### Size Options:

- Available in 4' and 8' lengths (nominal)
- 8' model has the appearance of (2) 4' models

### Listing & Ratings:

- All electrical components are U.L. listed or recognized
- All fixtures are U.L. Certified and Union made in the USA
- Meets Buy America Act (BAA), BABA Compliant

### Mounting Options:

- Suspended mount (cables included)

### Driver:

- Universal voltage 120-277V standard
- Custom driver tuning available for specific lumen requirements
- 0-10V or Lutron dimming

### Warranty:

- 5 years - part replacement only (see our terms & conditions page at [www.lamarled.com](http://www.lamarled.com) for details)

See page 2 for lumen chart & dimensions

Ordering Guide / Example

ATRL48MFFA-35

ATRL			FFA		
Series	Size	Power	Trim Options	CCT	General Options
ATRL = Atria	48 = 4' nominal 96 = 8' nominal	L = Low M = Medium H = High	FFA = Flush frosted acrylic	<b>80 CRI</b> 30 = 3000K 35 = 3500K 40 = 4000K 50 = 5000K  <b>90 CRI</b> 930 = 3000K 935 = 3500K 940 = 4000K 950 = 5000K	D = 0-10V dimming to 1% (standard) DTD = 0-10V Dim to Dark LDH = Lutron EcoSystem Hi-lume digital 1% w/Fade to Black BOR = Beginning of run (8' only) INT = Intermediate (8' only) EOR = End of run

Consult factory for additional options not shown or listed

Correlated Color Temperatures (CCTs) fall within the nominal range as per ANSI C78.377A

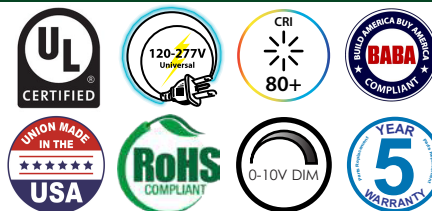
### Project Information:

Job Name: \_\_\_\_\_ Fixture Type: \_\_\_\_\_

Catalog #: \_\_\_\_\_ Date: \_\_\_\_\_

Comments: \_\_\_\_\_

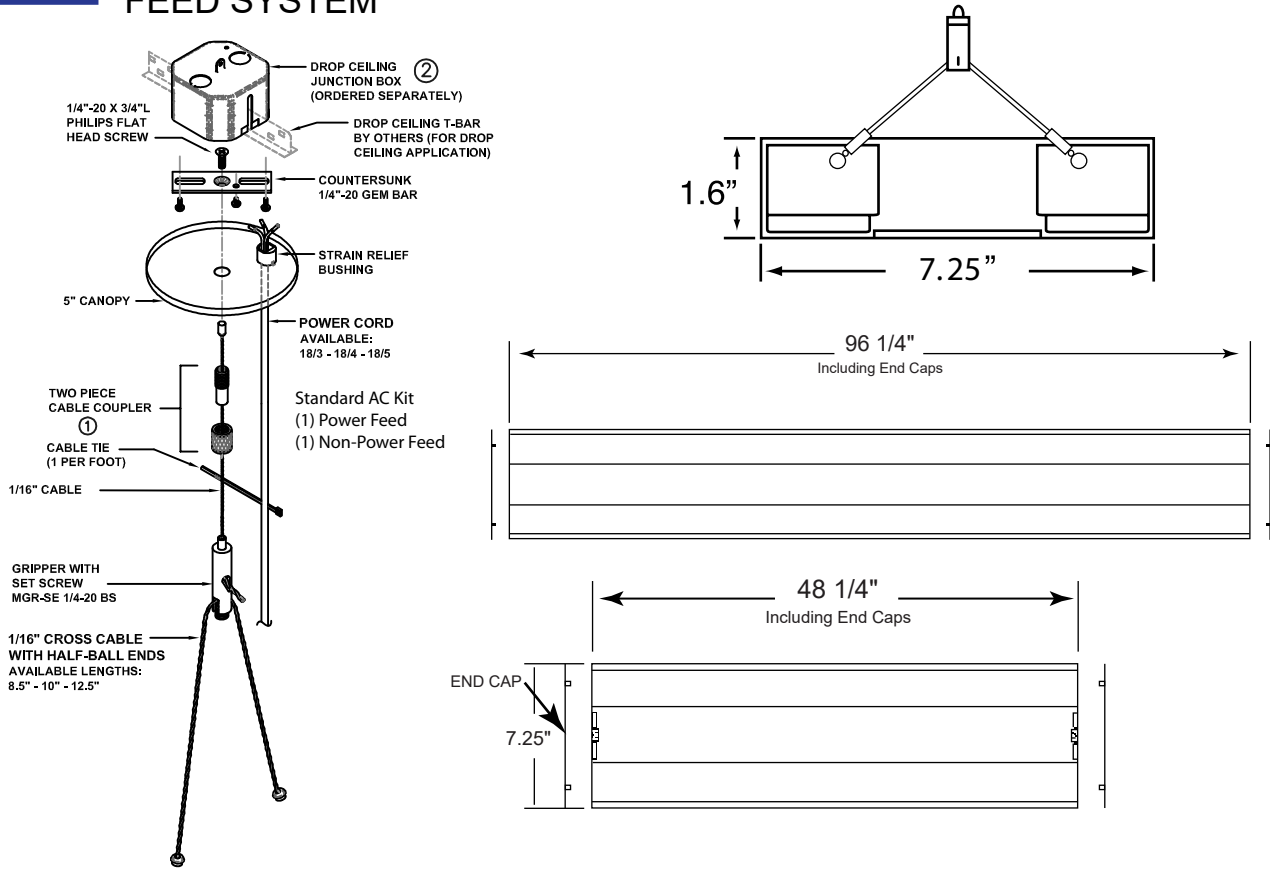
### Certification & Listings:



BEFORE INSTALLATION, PLEASE CONSULT YOUR LOCAL ORDINANCES AND BUILDING CODES FOR COMPLIANCE

Dimensions

## FEED SYSTEM



Lens Options



Flush Frosted Lens (Acrylic)

Lumen/Wattage Chart - 4' 4000K

**4' / 4000K / FFA Lens**  
**79% up / 21% down**

	Lumens	Watts
Low	4384	37
Medium	5199	45
High	6662	63

Lumen Multipliers

3500K	1.02
4000K	1.05
5000K	1.08